



74mm GEARED SCREW COMPRESSOR

06T

SIZE: 033 - 108

SERIES: 0

06T SCREW COMPRESSOR SIGNIFICANCE CHART

0 6 T R C 0 3 3 B 2 E A - A 0 0

05T OPEN DRIVE TWIN SCREW
COMPRESSOR
06T SEMI HERMETIC TWIN SCREW
COMPRESSOR

DESIGN VARIABLE
A = AIR COOLED CONDENSING
MEDIUM TEMP. REFRIG.
W = BOOSTER APPLICATIONS
R = LOW TEMP. REFRIGERATION
VARIABLE VI

HORSEPOWER (NOMINAL)
C = 15, D = 20, E = 25
F = 30, G = 35, H = 40
J = 45, K = 50, L = 55
M = 60

CFM
033, 039, 044, 048,
054, 065, 078, 088,
096, 108

SPECIAL ORDER DESIGNATION
A 0 0 = STANDARD OFFERING
A 0 1 = 50HZ APPLICATIONS ONLY

PACKAGING VARIATIONS
A = SINGLE PACK W/ SERVICE VALVES
B = SINGLE PACK W/O SERVICE VALVES

INTERNAL USE ONLY

REFRIGERANT
1 = R-134A
2 = R-22, R-507, R-404a

POWER REQUIREMENTS
A = NO MOTOR, LOW SPEED SEAL
B = 460-3-60, 400-3-50
C = 575-3-60, 500-3-50
D = 230-3-50
E = 400-3-60, 346-3-50
F = 208-230-3-60, 200-3-50
Z = NO MOTOR, HIGH SPEED SEAL

Graphics Catalog

Catalog No: RCD-3506-014 (10/00)

Rev.

Supersedes: NEW

Rev.

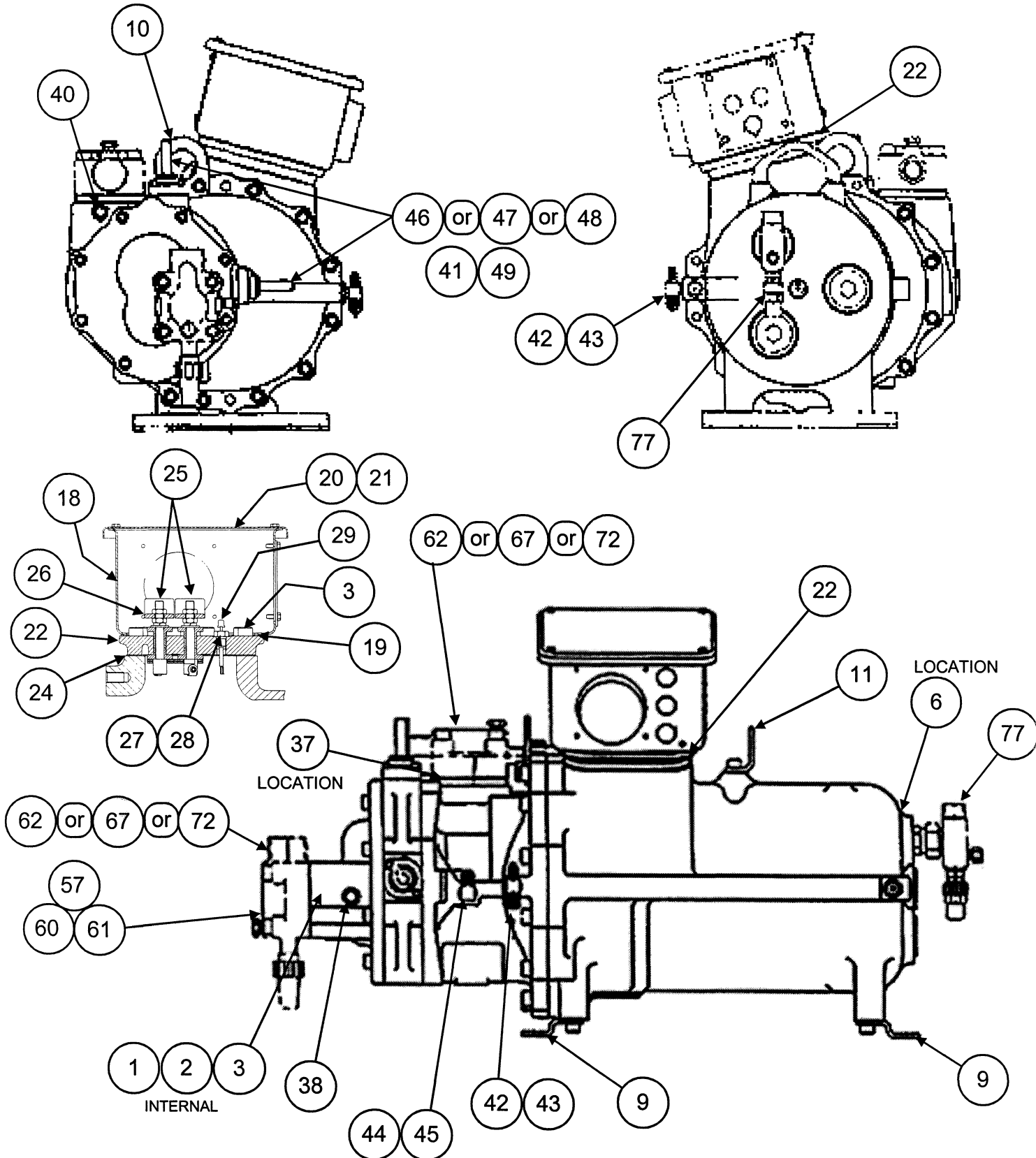
Note: See "Catalog Notes" on last page for explanation of symbolism.

Graphics Page: 1

Litho in U.S.A



Electronic Graphics 06014001





74mm GEARED SCREW COMPRESSOR

06T

SIZE: 033 - 108

SERIES: 0

COMPRESSOR MODEL	VOLTAGE & PHASE	CIRCUIT BREAKER
06TRC033B2EA-A00	460-3-60 & 400-3-50	HH83XA463
06TRC033F2EA-A00	230-3-60 & 200-3-50	HH83XB356 OR HH83XB626
06TRC033C2EA-A00	575-3-60	HH83XA460
06TRD039B2EA-A00	460-3-60 & 400-3-50	HH83XA424
06TRD039F2EA-A00	230-3-60 & 200-3-50	HH83XB336 OR HH83XB625
06TRD039C2EA-A00	575-3-60	HH83XA461
06TRD044B2EA-A00	460-3-60 & 400-3-50	HH83XA424
06TRD044F2EA-A00	230-3-60 & 200-3-50	HH83XB336 OR HH83XB625
06TRD044C2EA-A00	575-3-60	HH83XA461
06TRE048B2EA-A00	460-3-60 & 400-3-50	HH83XA426
06TRE048F2EA-A00	230-3-60 & 200-3-50	HH83XC509
06TRE048C2EA-A00	575-3-60	HH83XA469
06TRE054B2EA-A00	460-3-60 & 400-3-50	HH83XA426
06TRE054F2EA-A00	230-3-60 & 200-3-50	HH83XC509
06TRE054C2EA-A00	575-3-60	HH83XA469
06TRF065B2EA-A00	460-3-60 & 400-3-50	HH83XA474
06TRF065F2EA-A00	230-3-60 & 200-3-50	HH83XC573
06TRF065C2EA-A00	575-3-60	HH83XB617
06TRG078B2EA-A00	460-3-60 & 400-3-50	HH83XA475
06TRG078F2EA-A00	230-3-60 & 200-3-50	HH83XC574
06TRG078C2EA-A00	575-3-60	HH83XB618
06TRH088B2EA-A00	460-3-60 & 400-3-50	HH83XA476
06TRH088F2EA-A00	230-3-60 & 200-3-50	HH83XC575
06TRH088C2EA-A00	575-3-60	HH83XB619
06TRK108B2EA-A00	400-3-50	HH83XA477





74mm GEARED SCREW COMPRESSOR

06T

SIZE: 033 - 108

SERIES: 0

COMPRESSOR MODEL	VOLTAGE & PHASE	CIRCUIT BREAKER
06TAD033B2EA-A00	460-3-60 & 400-3-50	HH83XA424
06TAD033F2EA-A00	230-3-60 & 200-3-50	HH83XB336 OR HH83XB625
06TAD033C2EA-A00	575-3-60	HH83XA461
06TAE039B2EA-A00	460-3-60 & 400-3-50	HH83XA426
06TAE039F2EA-A00	230-3-60 & 200-3-50	HH83XC509
06TAE039C2EA-A00	575-3-60	HH83XA469
06TAF044B2EA-A00	460-3-60 & 400-3-50	HH83XA478
06TAF044F2EA-A00	230-3-60 & 200-3-50	HH83XC539
06TAF044C2EA-A00	575-3-60	HH83XA430
06TAF048B2EA-A00	460-3-60 & 400-3-50	HH83XA478
06TAF048F2EA-A00	230-3-60 & 200-3-50	HH83XC539
06TAF048C2EA-A00	575-3-60	HH83XA430
06TAG054B2EA-A00	460-3-60 & 400-3-50	HH83XA547
06TAG054F2EA-A00	230-3-60 & 200-3-50	HH83XC532
06TAG054C2EA-A00	575-3-60	HH83XA453
06TAG065B2EA-A00	460-3-60 & 400-3-50	HH83XA475
06TAG065F2EA-A00	230-3-60 & 200-3-50	HH83XC574
06TAG065C2EA-A00	575-3-60	HH83XB618
06TAH078B2EA-A00	460-3-60 & 400-3-50	HH83XA476
06TAH078F2EA-A00	230-3-60 & 200-3-50	HH83XC575
06TAH078C2EA-A00	575-3-60	HH83XB619
06TAK088B2EA-A00	460-3-60 & 400-3-50	HH83XA477
06TAK088F2EA-A00	230-3-60 & 200-3-50	HH83XC576
06TAK088C2EA-A00	575-3-60	HH83XB610

POWER TERMINAL PARTS CONNECTORS FOR HH83XB CIRCUIT BREAKERS

PART NO.	USAGE
06EA660152	#1 - #2 WIRE
06EA660153	#4 WIRE





74MM GEARED SCREW COMPRESSOR

SIZE: 033 108
SERIES: 0

ITM	PART DESCRIPTION	06TA/TR	
		ALL MODELS	
SCREW COMPRESSOR PARTS			
1	CHECK VALVE,DISCHARGE		1TA0620C
2	DISCHARGE PLATE,CHECK VALVE		1TA0621B
3	SNAP RING,BEVELED (CHECK VALVE)	(2)	8TA0629B
4	SUCTION STRAINER		8TA0565B
5	SWITCH,LOW PRESSURE		HK01CB001
6	ECONOMIZER INLET SCREEN		8TA0253C
7	OIL MANIFOLD ASY (ORIGINAL DESIGN)		0TA0631D
8	STRAINER,INSERT (1.88 LG .195 DIA)		KH11HH066
9	FOOT,COMPRESSOR	(2)	8TA0974C
10	LIFTING BRACKET,COMPRESSOR END		1TA0385B
11	LIFTING BRACKET,MOTOR END		05KA501023
12	SCKT HD CAPSCREW,D/C SOL VALVE	(4)	8TA0115C
13	SCKT HD CAPSCREW,TERM PLATE	(12)	8TA0123C
14	SCKT HD CAPSCREW,D/CVR-R/C	(8)	8TA0124C
15	SCKT HD CAPSCREW,D/C-R/C	(2)	8TA0224C
16	SCKT HD CAPSCREW,MTG FT-M/C	(4)	8TA0239C
17	SCKT HD CAPSCREW,M/C-R/C,VALVE PAD	(22)	8TA0465C
18	BOX,TERMINAL		06EA504684
19	GASKET,TERMINAL BOX		06EA502553
20	COVER,TERMINAL BOX		06EA502483
21	SCREW,TERMINAL BOX COVER		AK16AS126
22	TERMINAL PLATE ASSEMBLY		06EA660051
23	TERMINAL PLATE		NOT SOLD SEPARATE
24	GASKET,TERMINAL PLATE		06EA502523
25	BLOCK,INSULATOR		06EA500672
26	NUT,3/18-16 HEX. JAM		AT149A241
27	WASHER,PLAIN		AU02AB171
28	WASHER,SPRING		AU51AS181
29	NUT,TERMINAL		HY95WP172
30	ADAPTER FITTING(3.7")1/4 SAE X 1/4 N		DD08SA052
31	O-RING,FITTING		KK71EW904
32	ADAPTER FITTING(1.3" LG) SAE X 1/4 N		DD08SA051
33	O-RING,FITTING		KK71EW904
34	ADAPTER CROSS TEE (W/SCHRADER)		DD17GA051
35	COUPLING,ADAPTER CROSS TEE		DE14CA126
36	O-RING,ADAPTER		KK71EW904
37	SUCTION INLET SCREEN		06DA402133
38	FITTING,DISCHARGE ACCESS VALVE		0TB0889
39	O-RING,FITTING		KK71EW904
40	FITTING,SUCTION ACCESS VALVE		0TB0889
41	O-RING,FITTING		KK71EW904
42	FITTING,OIL INLET (TEE)		2TA0481B
43	O-RING,FITTING		KK71EW904
44	FITTING,LIQUID INJECTION (ELBOW)		2TA1004
45	O-RING,FITTING		KK71EW904
46	UNLOADER /VI SOLENOID ASY		06NA660011
47 N	UNLOADER SOLENOID VALVE		NOT SOLD SEPARATE
48 N	O-RING	(3)	8TB0279
49 N	SOCKET HEAD CAP SCREW	(2)	8TB0675
50 N	ALLEN HEAD WRENCH		KLE-LLM5
51	SOLENOID COIL,UNLOADER/VI (24V)		EF19ZE024
52	SOLENOID COIL,UNLOADER/VI (120V)		EF19ZE120
53	SOLENOID COIL,UNLOADER/VI (240V)		EF19ZE240
55	OVERLOAD RELAY		HN76JZ015

PARTS LIST CATALOG

PARTS LIST PAGE: 001

CATALOG NO. : REV.
SUPERSEDES : REV.

NOTE: SEE "CATALOG NOTES" ON LAST PAGE FOR EXPLANATION OF SYMBOLISM.



74MM GEARED SCREW
COMPRESSOR

06T

SIZE: 033 108
SERIES: 0

ITM	PART DESCRIPTION	06TA/TR			
		ALL MODELS			
SCREW COMPRESSOR PARTS					
56	OVERLOAD RELAY		HN76JZ022		
57	BAR STOCK VALVE PKG.(1-5/8)(SUCTION/DISCHARGE)		06TA680008		
	Note: Used on 65 cfm and larger.				
58 N	GASKET (4 BOLT) (2.50 SQ)		06DA504153		
59 N	MOUNTING BOLYS(SST)	(4)	8TA0465C		
60 N	ADAPTER FLANGE ASSEMBLY		06TA680006		
61 N	GASKET (4 BOLT) (2.50 SQ)		06DA504153		
62 N	SERVICE VALVE PKG(SUCTION/DISCHARGE)(1 5/8)		06TA660001		
63	SERVICE VALVE		NOT SOLD SEPARATE		
64	CAP, VALVE		EN99ZA006		
65	GASKET, SERVICE VALVE		6D681131		
66	HEX HEAD CAP SCREW (METRIC)	(4)	8TA0927B		
67 N	SERVICE VALVE PKG(SUCTION/DISCHARGE)(1 3/8)		06TA660002		
68	SERVICE VALVE		NOT SOLD SEPARATE		
69	CAP, VALVE		EN99ZA006		
70	GASKET, SERVICE VALVE		6D681131		
71	HEX HEAD CAP SCREW (METRIC)	(4)	8TA0927B		
72 N	SERVICE VALVE PKG(SUCTION/DISCHARGE)(1 1/8)		06TA660003		
73	SERVICE VALVE		NOT SOLD SEPARATE		
74	CAP, VALVE		EN99ZA006		
75	GASKET, SERVICE VALVE		6D681131		
76	HEX HEAD CAP SCREW (METRIC)	(4)	8TA0927B		
77	ECONOMIZER SERVICE VALVE (7/8)		06TA660004		
78	SHUTOFF VALVE (7/8 ROTOLOCK)		NOT SOLD SEPARATE		
79	REDUCING COUPLING		EN99RA360		
80	SEAL GASKET		EN99GA100		
81	O-RING		8TA0757B		
ACCESSORY GROUP					
82	DESUPERHEAT VLV 1 TON (190F)Y-1037		EA02ZD001		
83 N	DESUPERHEAT VLV 1.5 TON (190F)Y-1037		EA02ZD002		
84 N	DESUPERHEAT VLV 2 TON (190F)Y-1037		EA02ZD030		
85 N	DESUPERHEAT VLV 3 TON (190F)Y-1037		EA02ZD050		
86 N	DESUPERHEAT VLV 5 TON (190F)Y-1037		EA02ZD100		
87	OIL CONTROL SOLENOID W/SIGHTGLASS		EF23Z2025		
88	MUFFLER		LM10HH162		
89	OIL PRESS DIFFERENTIAL SWITCH		HK06Z8006		
90	OIL LEVEL SWITCH		HK13LB004		
90A	O-RING, OIL LEVEL SWITCH		KK71EW916		
91	SOLENOID VALVE, MOTOR COOLING (DANFOSS)		EF28BZ007		
92	SOL. VALVE COIL (24V) (FOR IT# 91)		01827613		
93	SOL. VALVE COIL (208/240V) (FOR IT# 91)		01827611		
94	SOL. VALVE COIL (120V) (FOR IT# 91)		01827612		
95	OIL FILTER HOUSING		KH18MG002		
96	O-RING, OIL FILTER HOUSING		KK71EW143		
97	OIL FILTER CARTRIDGE (3 MICRONS)		KH39MG002		
98	THERMISTOR, DISCHARGE TEMP. (5K)		HH79NZ065		
99	MODULE (CEM) (1ST GENERATION)		3TA0796B		
100	MODULE KIT (CEM) (2ND GENERATION)		0TA1063		
100A	MODULE (2ND GENERATION)		NSS		
100B	THERMISTOR, DISCHARGE TEMP. (5K)		HH79NZ065		
100C	ADAPTER FITTING, DISCHARGE		DD08SA051		
100D	ADAPTER FITTING, SUCTION		DD08SA052		
100E	ADAPTER, CROSS TEE		DD17GA051		
100F	TRANSDUCER, LOW PRESSURE (SUCTION)		HK05YZ003		

PARTS LIST CATALOG

PARTS LIST PAGE: 002

CATALOG NO.: REV.
SUPERSEDES : REV.

NOTE: SEE "CATALOG NOTES" ON LAST PAGE FOR EXPLANATION OF SYMBOLISM.

